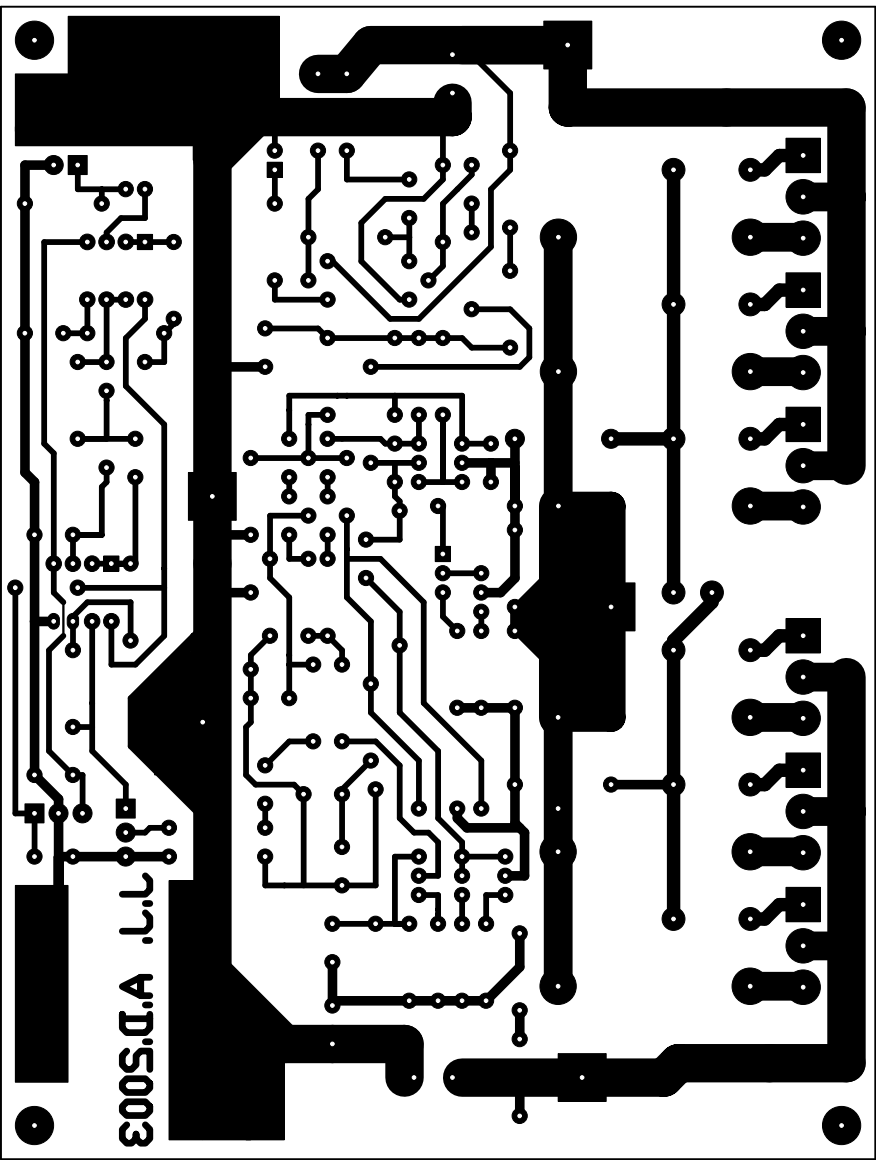
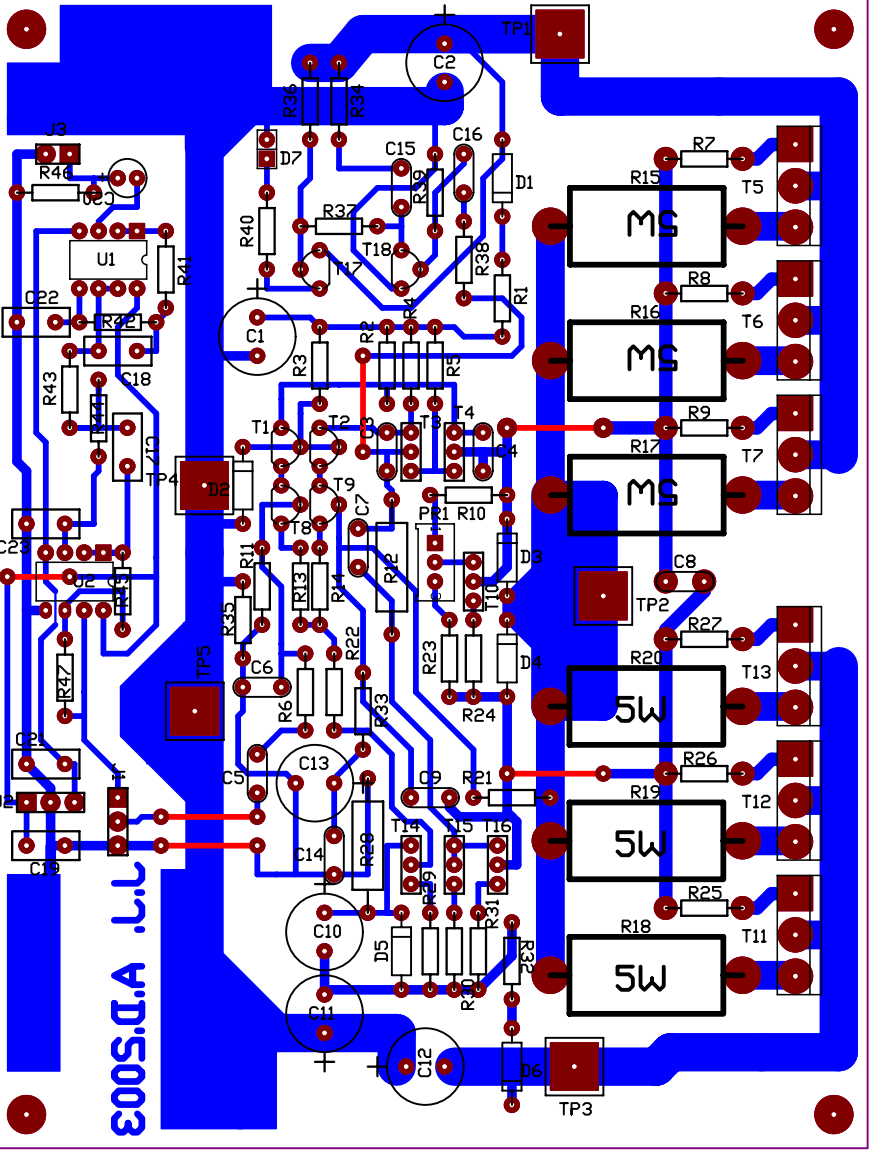
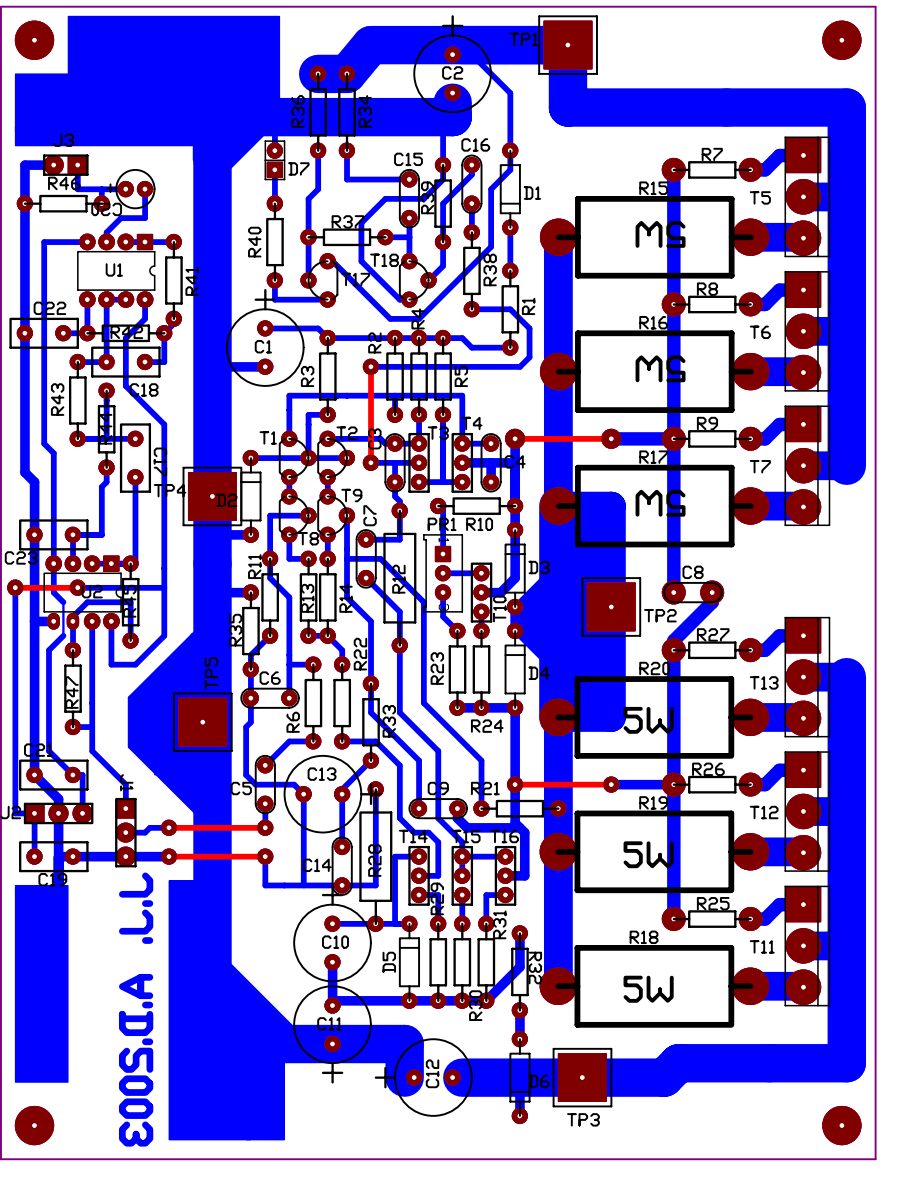


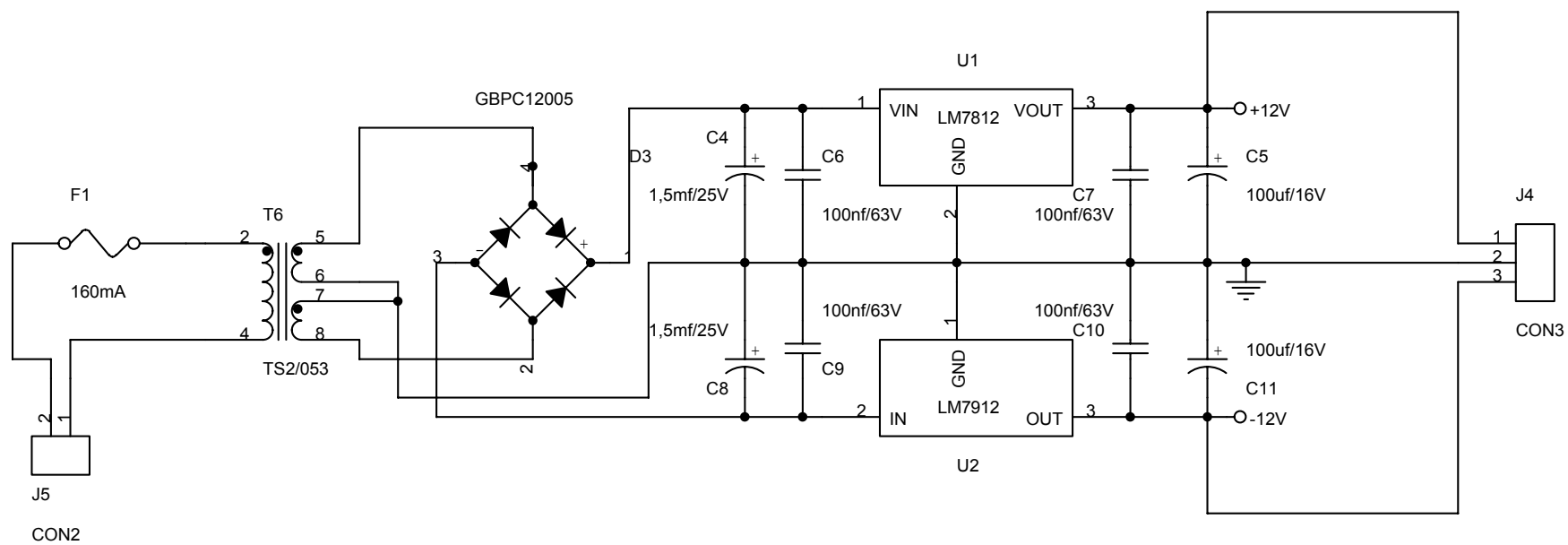
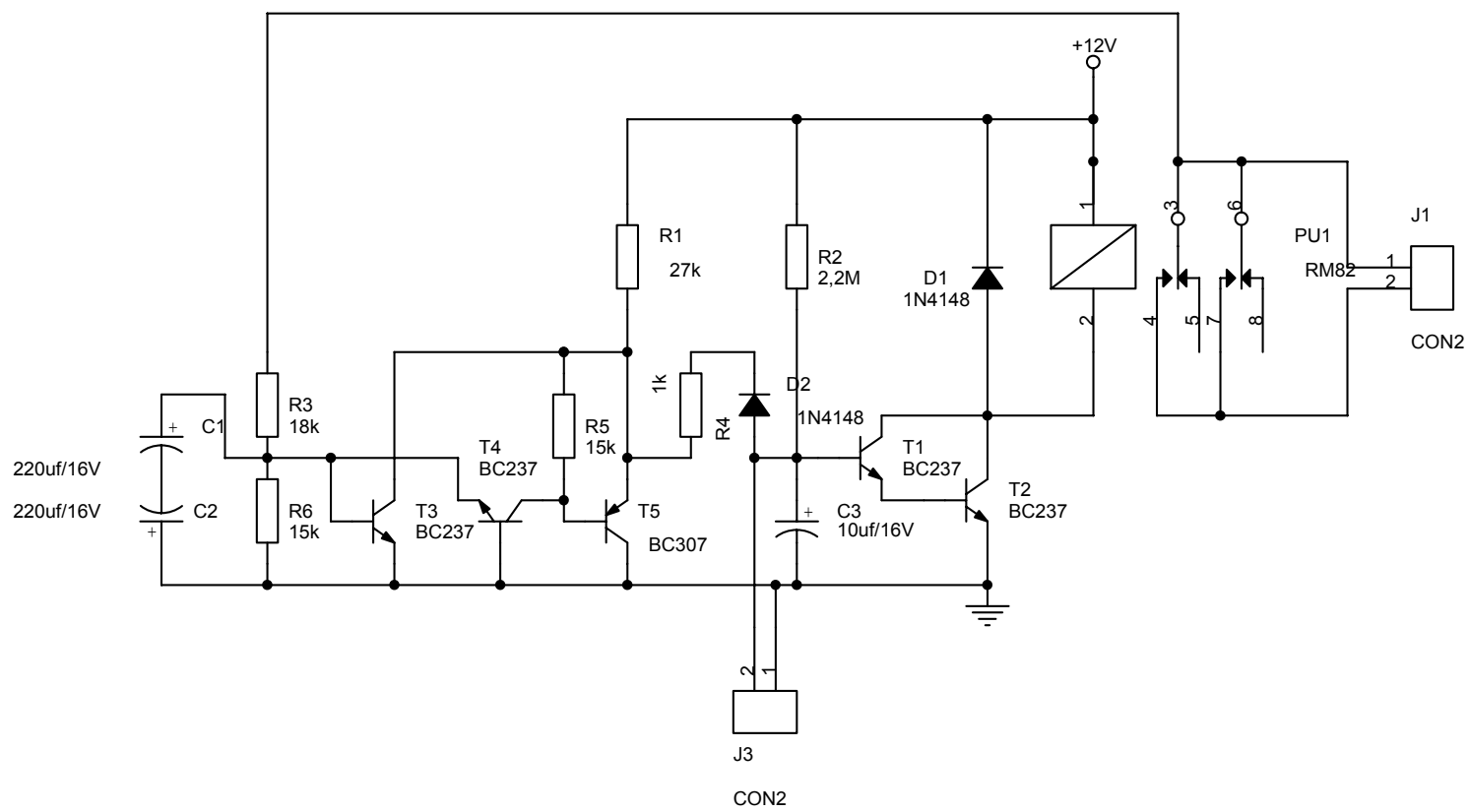
Title		
SubAmplifier 150W		
Size	Document Number	Rev
Custom<Doc>		1.0
Date:	Sunday, March 30, 2003	Sheet 1 of 1

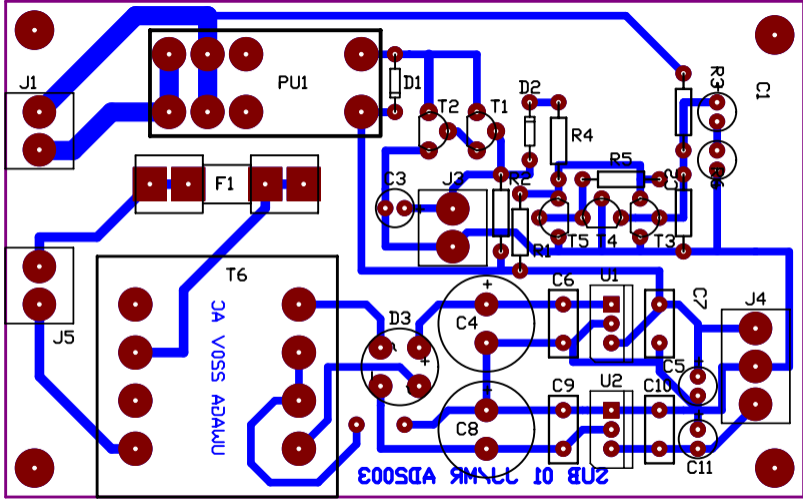
005.D.A .L.L  
A.D.5003



800S.D.A .L.L.

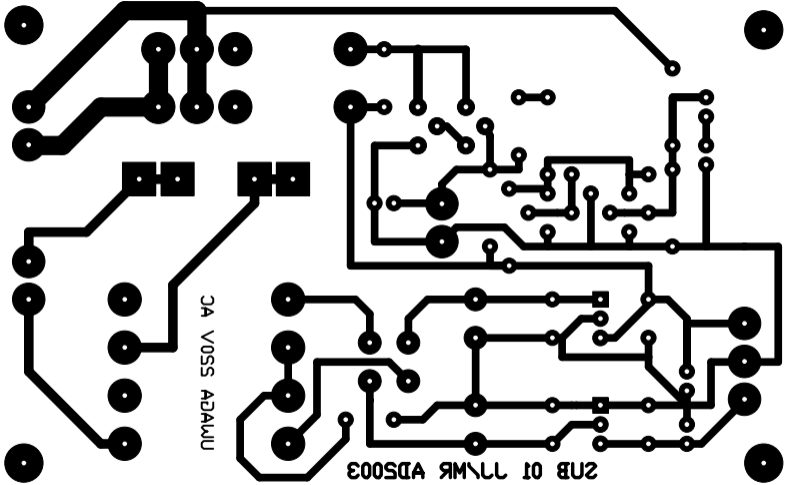


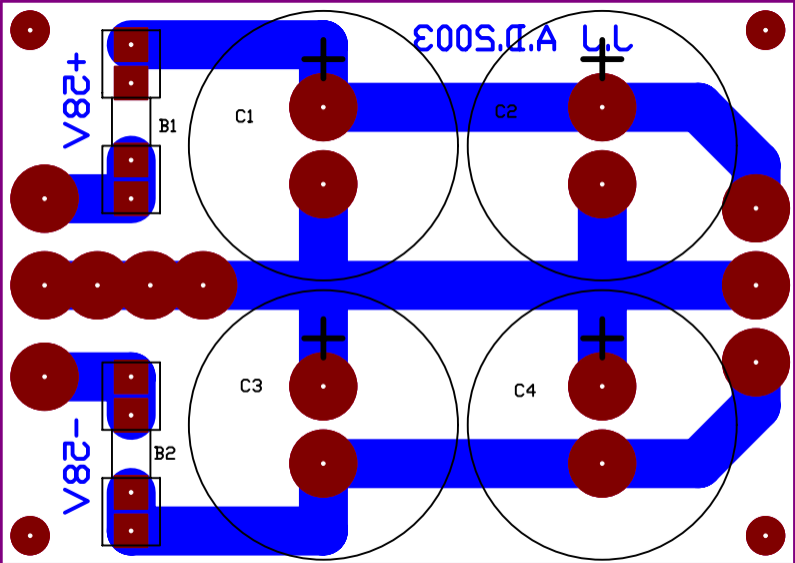


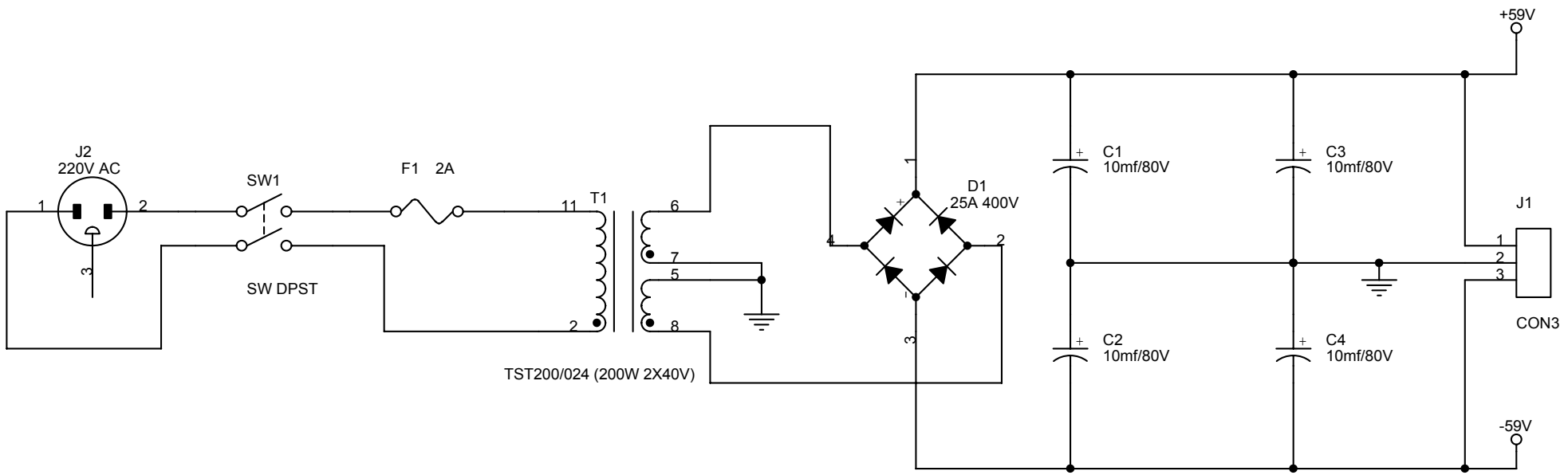


2UB 01 11MR AD5003

3A V055 ADAMU







Title		
<Title>		
Size	Document Number	Rev
A	<Doc>	<RevCode>
Date:	Saturday, April 12, 2003	Sheet 1 of 1
	2	1

1.1 A.D.5003

+28V

-28V

